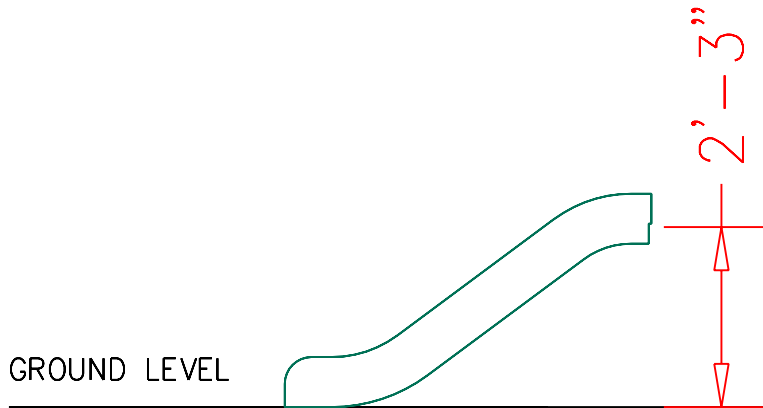
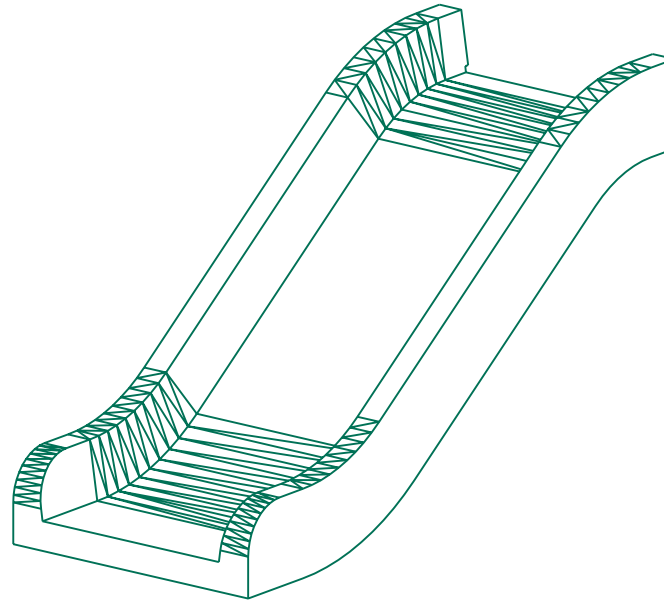
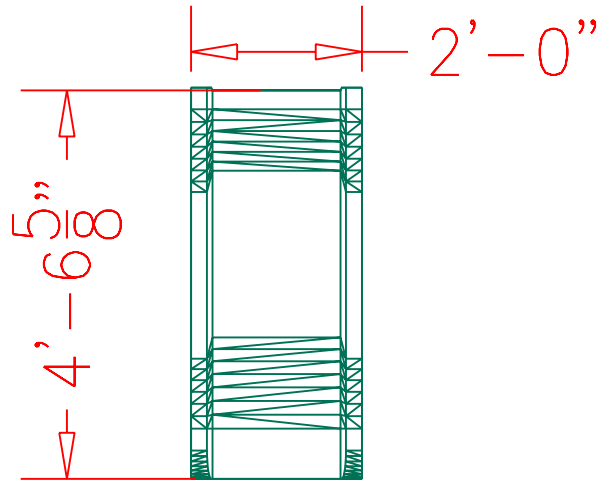




Superior International Industries The Unlimited Playground Factories

REV.	DESCRIPTION
------	-------------



PLAYSYSTEM:
 UNIT SIZE:
 DRAWN BY: S.MCGUIRE
 DATE: 11/03/2005
 SHEET: 1 OF 1
 COLOR SCHEME:

THE COLORS SHOWN REPRESENT A PARTICULAR COLOR SCHEME.
 INDIVIDUAL COMPONENTS MAY DIFFER; HOWEVER WILL
 REMAIN WITHIN THE DESIGNATED SCHEME.

MEASUREMENTS TO BE VERIFIED BY
 CUSTOMER PRIOR TO PURCHASE

APPROVED AS DRAWN
 X _____
 (SIGN AND DATE)

07310XX